

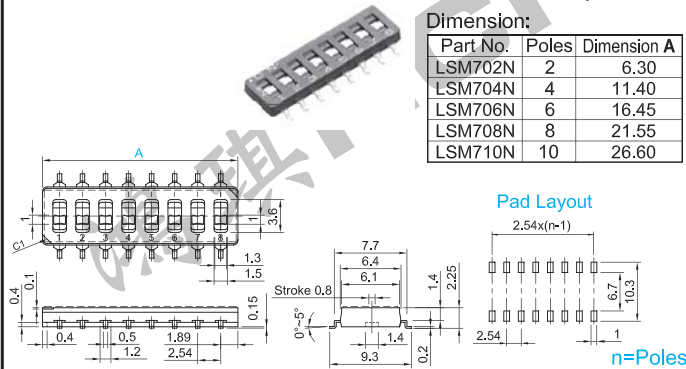
# DIP SWITCHES

## FLAT KNOB & TAPE SEAL TYPE LSM7 $\square\square$ N Pitch=2.54mm

- Rating: DC50V 100mA
- Stroke: 0.8mm
- Force: 0.05~0.6kgf
- Life: 1,000 Cycles

Dimension:

Part No.	Poles	Dimension A
LSM702N	2	6.30
LSM704N	4	11.40
LSM706N	6	16.45
LSM708N	8	21.55
LSM710N	10	26.60

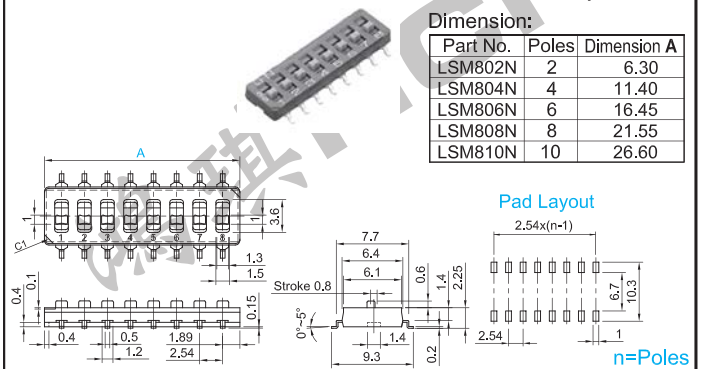


## CONVEX KNOB TYPE LSM8 $\square\square$ N Pitch=2.54mm

- Rating: DC50V 100mA
- Stroke: 0.8mm
- Force: 0.05~0.6kgf
- Life: 1,000 Cycles

Dimension:

Part No.	Poles	Dimension A
LSM802N	2	6.30
LSM804N	4	11.40
LSM806N	6	16.45
LSM808N	8	21.55
LSM810N	10	26.60

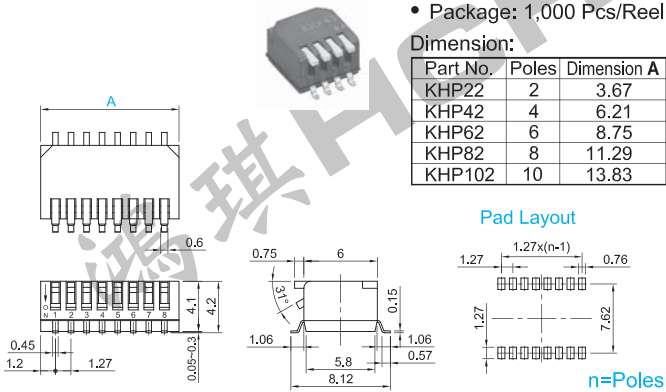


## KHP Pitch=1.27mm

- Rating: DC24V 25mA
- Force: 0.5kgf Max.
- Life: 1,000 Cycles
- Package: 1,000 Pcs/Reel

Dimension:

Part No.	Poles	Dimension A
KHP22	2	3.67
KHP42	4	6.21
KHP62	6	8.75
KHP82	8	11.29
KHP102	10	13.83

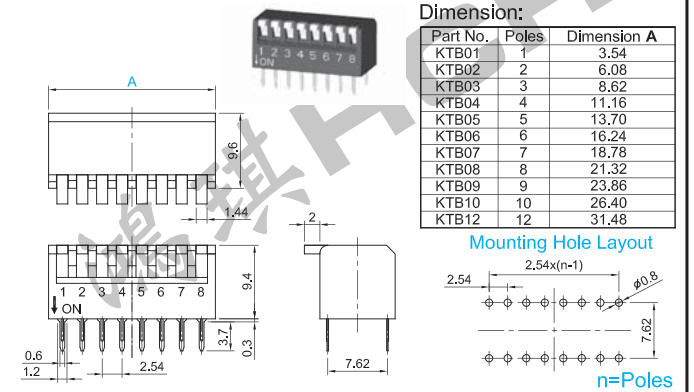


## KTB Pitch=2.54mm

- Rating: DC24V 25mA
- Force: 1kgf Max.
- Life: 2,000 Cycles

Dimension:

Part No.	Poles	Dimension A
KTB01	1	3.54
KTB02	2	6.08
KTB03	3	8.62
KTB04	4	11.16
KTB05	5	13.70
KTB06	6	16.24
KTB07	7	18.78
KTB08	8	21.32
KTB09	9	23.86
KTB10	10	26.40
KTB12	12	31.48

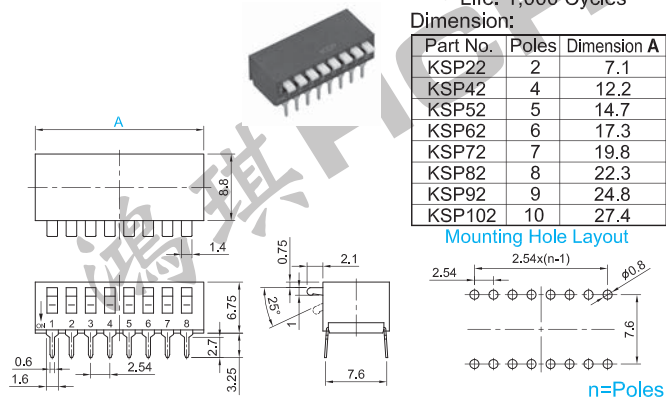


## KSP Pitch=2.54mm

- Rating: DC24V 25mA
- Force: 0.8kgf
- Life: 1,000 Cycles

Dimension:

Part No.	Poles	Dimension A
KSP22	2	7.1
KSP42	4	12.2
KSP52	5	14.7
KSP62	6	17.3
KSP72	7	19.8
KSP82	8	22.3
KSP92	9	24.8
KSP102	10	27.4

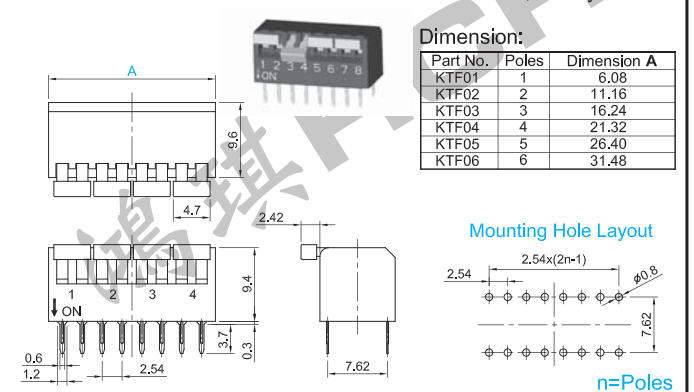


## DOUBLE POLES SINGLE THROW KTF Pitch=2.54mm

- Rating: DC24V 25mA
- Force: 1kgf Max.
- Life: 2,000 Cycles

Dimension:

Part No.	Poles	Dimension A
KTF01	1	6.08
KTF02	2	11.16
KTF03	3	16.24
KTF04	4	21.32
KTF05	5	26.40
KTF06	6	31.48

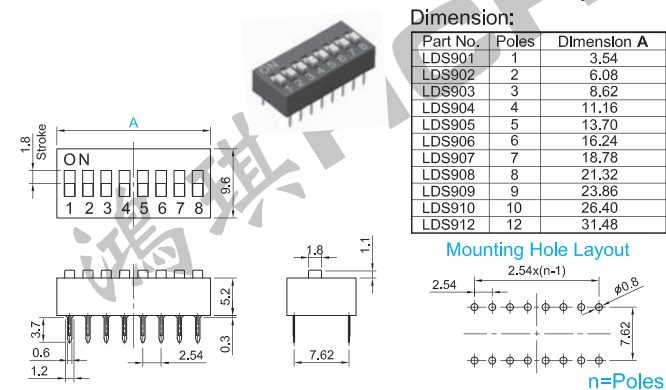


## CONVEX KNOB TYPE LDS9 Pitch=2.54mm

- Rating: DC24V 25mA
- Force: 1kgf Max.
- Life: 2,000 Cycles

Dimension:

Part No.	Poles	Dimension A
LDS901	1	3.54
LDS902	2	6.08
LDS903	3	8.62
LDS904	4	11.16
LDS905	5	13.70
LDS906	6	16.24
LDS907	7	18.78
LDS908	8	21.32
LDS909	9	23.86
LDS910	10	26.40
LDS912	12	31.48



## FLAT KNOB TYPE LDS10 Pitch=2.54mm

- Rating: DC24V 25mA
- Force: 1kgf Max.
- Life: 2,000 Cycles

Dimension:

Part No.	Poles	Dimension A
LDS1001	1	3.54
LDS1002	2	6.08
LDS1003	3	8.62
LDS1004	4	11.16
LDS1005	5	13.70
LDS1006	6	16.24
LDS1007	7	18.78
LDS1008	8	21.32
LDS1009	9	23.86
LDS1010	10	26.40
LDS1012	12	31.48

