

DIP SWITCHES

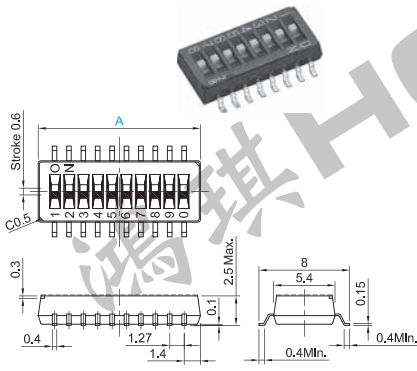
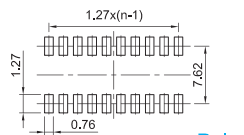
OFF SIDE HPS6 Pitch=1.27mm

- Rating: DC24V 25mA
- Stroke: 0.6mm
- Force: 0.51kgf Max.
- Life: 2,000 Cycles
- Package: 500 Pcs/Reel

Dimension:

| Part No. | Poles | Dimension A |
|----------|-------|-------------|
| HPS602-E | 2 | 4.1 |
| HPS604-E | 4 | 6.6 |
| HPS606-E | 6 | 9.2 |
| HPS608-E | 8 | 11.7 |
| HPS610-E | 10 | 14.3 |

Pad Layout



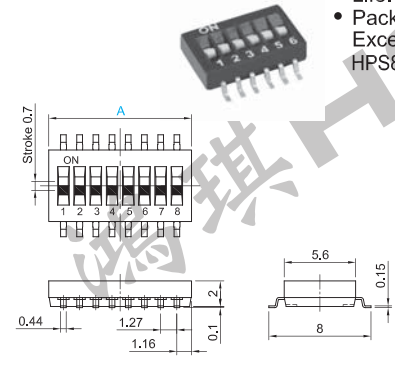
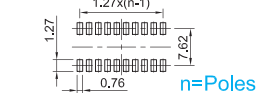
HALOGEN FREE OFF SIDE HPS8 Pitch=1.27mm

- Rating: DC24V 25mA
- Stroke: 0.7mm
- Force: 0.51kgf Max.
- Life: 2,000 Cycles
- Package: 2,000 Pcs/Reel
- Except:
HPS801-E~HPS803-E: 3,000 Pcs/Reel

Dimension:

| Part No. | Poles | Dimension A |
|----------|-------|-------------|
| HPS801-E | 1 | 2.31 |
| HPS802-E | 2 | 3.58 |
| HPS803-E | 3 | 4.85 |
| HPS804-E | 4 | 6.12 |
| HPS805-E | 5 | 7.39 |
| HPS806-E | 6 | 8.66 |
| HPS808-E | 8 | 11.20 |
| HPS810-E | 10 | 13.74 |
| HPS812-E | 12 | 16.28 |

Pad Layout



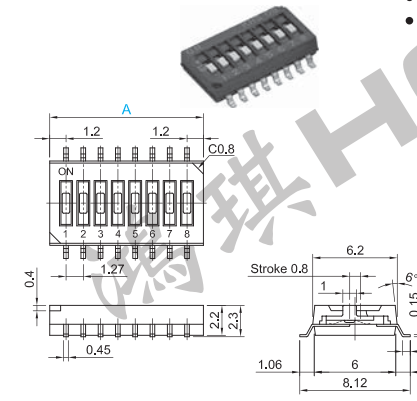
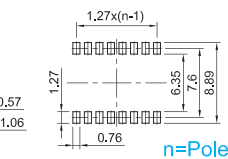
OFF SIDE KHS Pitch=1.27mm

- Rating: DC24V 25mA
- Force: 500gf
- Life: 1,000 Cycles
- Package: 2,000 Pcs/Reel

Dimension:

| Part No. | Poles | Dimension A |
|----------|-------|-------------|
| KHS02 | 2 | 3.67 |
| KHS04 | 4 | 6.21 |
| KHS06 | 6 | 8.75 |
| KHS08 | 8 | 11.29 |
| KHS10 | 10 | 13.83 |

Pad Layout



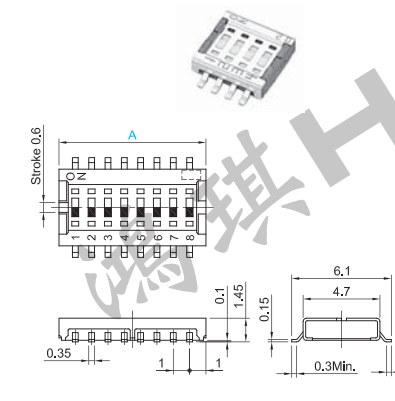
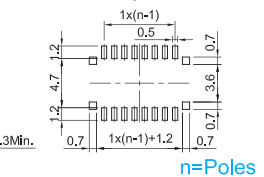
OFF SIDE HPS10 Pitch=1.0mm

- Rating: DC24V 25mA
- Stroke: 0.6mm
- Force: 0.306kgf Max.
- Life: 1,000 Cycles
- Package: 2,000 Pcs/Reel

Dimension:

| Part No. | Poles | Dimension A |
|----------|-------|-------------|
| HPS1001 | 1 | 2 |
| HPS1002 | 2 | 3 |
| HPS1003 | 3 | 4 |
| HPS1004 | 4 | 5 |
| HPS1008 | 8 | 9 |

Pad Layout



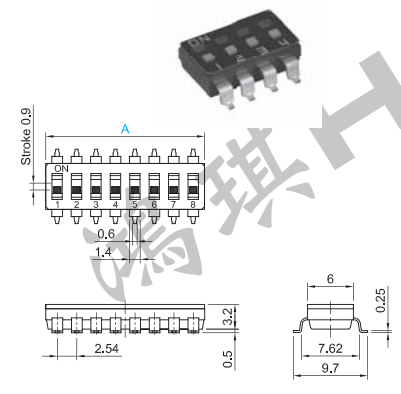
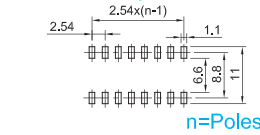
FLAT KNOB & TAPE SEAL TYPE LSM7 Pitch=2.54mm

- Rating: DC24V 25mA
- Force: 1kgf Max.
- Life: 2,000 Cycles

Dimension:

| Part No. | Poles | Dimension A |
|----------|-------|-------------|
| LSM701 | 1 | 2.98 |
| LSM702 | 2 | 5.52 |
| LSM703 | 3 | 8.06 |
| LSM704 | 4 | 10.60 |
| LSM705 | 5 | 13.14 |
| LSM706 | 6 | 15.68 |
| LSM707 | 7 | 18.22 |
| LSM708 | 8 | 20.76 |
| LSM709 | 9 | 23.30 |
| LSM710 | 10 | 25.84 |
| LSM712 | 12 | 30.92 |

Pad Layout



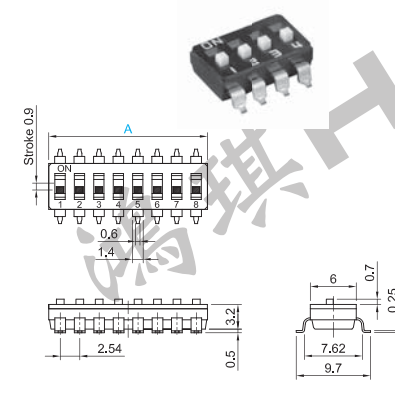
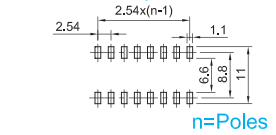
CONVEX KNOB TYPE LSM8 Pitch=2.54mm

- Rating: DC24V 25mA
- Force: 1kgf Max.
- Life: 2,000 Cycles

Dimension:

| Part No. | Poles | Dimension A |
|----------|-------|-------------|
| LSM801 | 1 | 2.98 |
| LSM802 | 2 | 5.52 |
| LSM803 | 3 | 8.06 |
| LSM804 | 4 | 10.60 |
| LSM805 | 5 | 13.14 |
| LSM806 | 6 | 15.68 |
| LSM807 | 7 | 18.22 |
| LSM808 | 8 | 20.76 |
| LSM809 | 9 | 23.30 |
| LSM810 | 10 | 25.84 |
| LSM812 | 12 | 30.92 |

Pad Layout



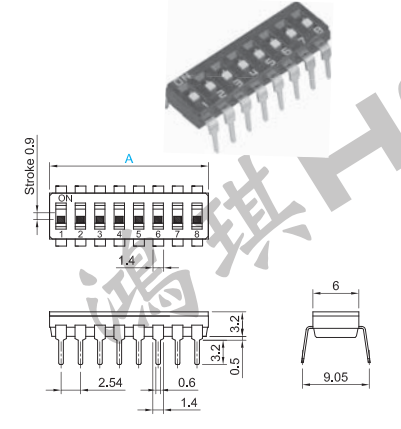
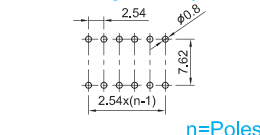
LDS7 Pitch=2.54mm

- Rating: DC24V 25mA
- Force: 1kgf Max.
- Life: 5,000 Cycles

Dimension:

| Part No. | Poles | Dimension A |
|----------|-------|-------------|
| LDS701 | 1 | 2.98 |
| LDS702 | 2 | 5.52 |
| LDS703 | 3 | 8.06 |
| LDS704 | 4 | 10.60 |
| LDS705 | 5 | 13.14 |
| LDS706 | 6 | 15.68 |
| LDS707 | 7 | 18.22 |
| LDS708 | 8 | 20.76 |
| LDS709 | 9 | 23.30 |
| LDS710 | 10 | 25.84 |
| LDS712 | 12 | 30.92 |

Mounting Hole Layout



LDS8 Pitch=2.54mm

- Rating: DC24V 25mA
- Force: 1kgf Max.
- Life: 5,000 Cycles

Dimension:

| Part No. | Poles | Dimension A |
|----------|-------|-------------|
| LDS801 | 1 | 2.98 |
| LDS802 | 2 | 5.52 |
| LDS803 | 3 | 8.06 |
| LDS804 | 4 | 10.60 |
| LDS805 | 5 | 13.14 |
| LDS806 | 6 | 15.68 |
| LDS807 | 7 | 18.22 |
| LDS808 | 8 | 20.76 |
| LDS809 | 9 | 23.30 |
| LDS810 | 10 | 25.84 |
| LDS812 | 12 | 30.92 |

Mounting Hole Layout

