


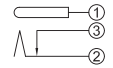
DC POWER JACKS

WITH BRACKET
PJ-58 CENTER PIN : $\phi 1.65$

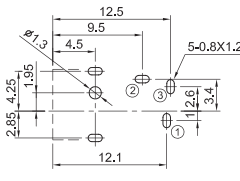
- Rating: DC16V 5A Max.
- Force: 0.3~3.0Kgf
- Life: 5,000 Cycles



Circuit



Mounting Hole Layout




(Top View)

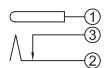
TAPING PACKAGE: 400 PCS/REEL

WATER PROOF
PJ-86 CENTER PIN : $\phi 1.3$

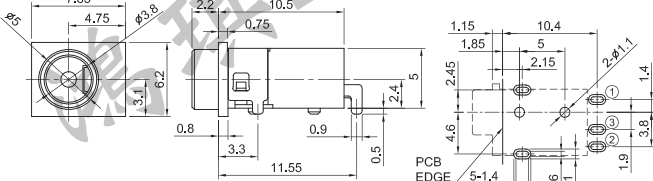
- Rating: DC16V 3.5A
- Force: 0.3~3.0kgf
- Life: 5,000 Cycles



Circuit




Mounting Hole Layout



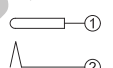
(Top View)

PJ-87 CENTER PIN : $\phi 2.5$

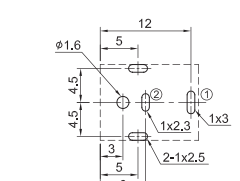
- Rating: DC16V 8A
- Force: 0.3~3.0kgf
- Life: 5,000 Cycles



Circuit




Mounting Hole Layout



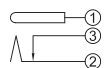
(Top View)

HIGH CURRENT
WATER & DUST PROOF
PJ-93 CENTER PIN : $\phi 2.0$

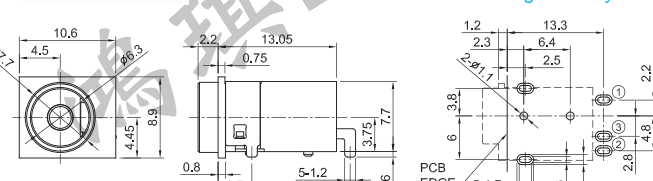
- Rating: DC16V 5A
- Force: 0.3~3.0kgf
- Life: 5,000 Cycles



Circuit




Mounting Hole Layout



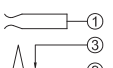
(Top View)

PJ-92

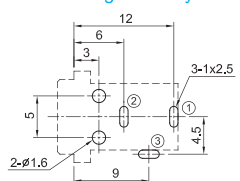
- Rating: DC24V 3A Max.
- Force: 0.3~3.0kgf
- Life: 5,000 Cycles



Circuit




Mounting Hole Layout



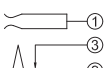
(Top View)

PJ-97

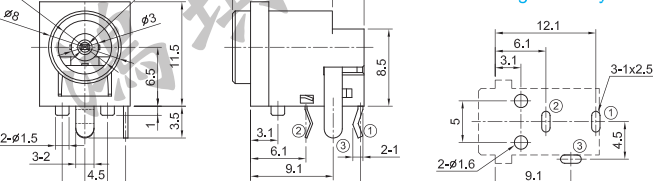
- Rating: DC24V 3A Max.
- Force: 0.3~3.0kgf
- Life: 5,000 Cycles



Circuit




Mounting Hole Layout



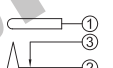
(Top View)

PJK-147 CENTER PIN : $\phi 1.3$

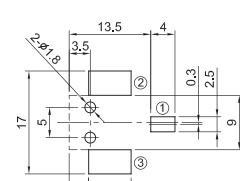
- Rating: DC30V 1A
- Force: 0.3~3.0kgf
- Life: 5,000 Cycles



Circuit



Pad Layout




(Top View)

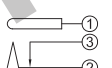
TAPING PACKAGE: 200 PCS/REEL

PJK-148 CENTER PIN : $\phi 2.0$
PJK-149 CENTER PIN : $\phi 2.5$

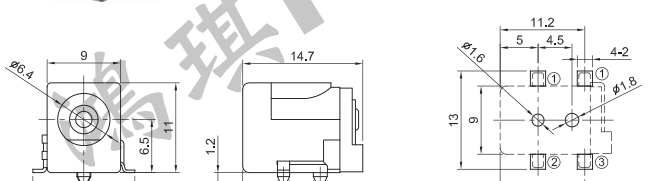
- Rating: DC20V 5A
- Force: 0.3~3.0kgf
- Life: 5,000 Cycles



Circuit



Pad Layout



(Top View)

TAPING PACKAGE: 250 PCS/REEL