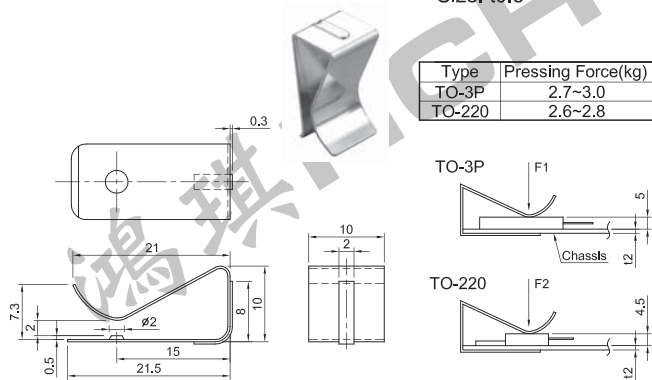


FUSE HOLDER

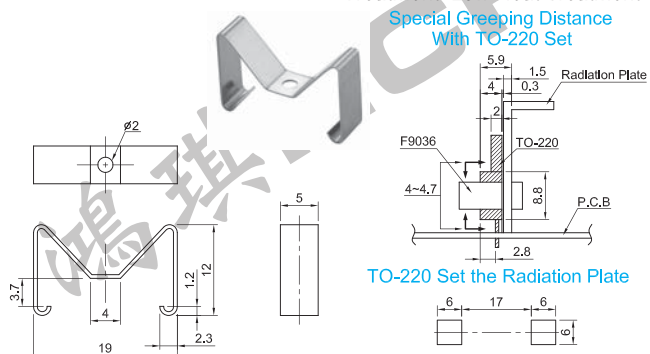
TRANSISTOR CLIP F9006S

- Material: Stainless Steel
- Standard: SUS304
- Size: t0.5



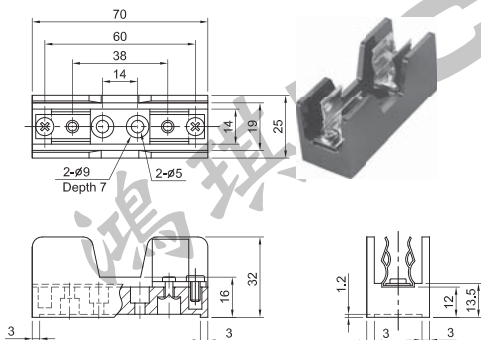
TRANSISTOR CLIP F9036

- Material: Stainless Steel
- Standard: SUS304
- Size: t0.3
- Treatment: Low Heat Treatment



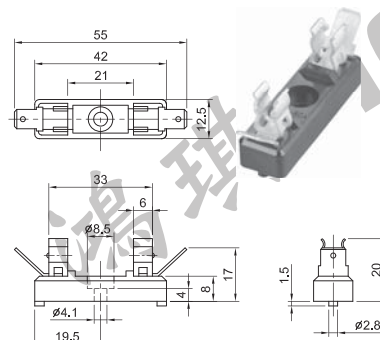
FUSE HOLDER F4030

- Rating: AC250V 30A
- Compatible Fuse: $\phi 15 \times 50L$



FUSE HOLDER F4032F250

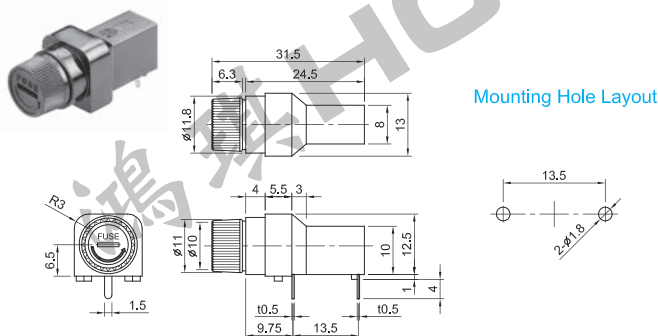
- Rating: AC250V 20A
- Compatible Fuse: $\phi 6.4 \times 32L$



FUSE HOLDER F-105 $\phi 5.2 \times 20mm$



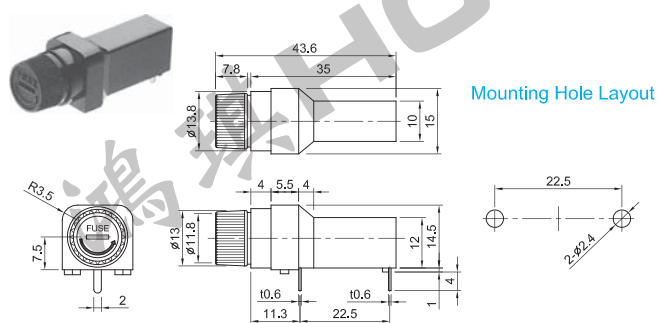
- Rating: AC250V 10A



FUSE HOLDER F-110 $\phi 6.4 \times 30mm$ $\phi 6.35 \times 31.8mm$

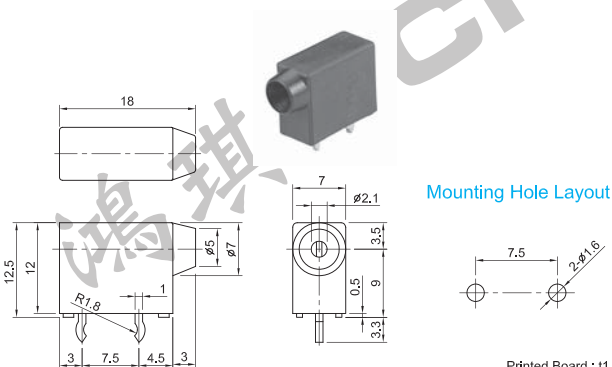


- Rating: AC250V 10A



CHECK TERMINAL F6101

- Connection Resistance: 15m Ω
- Conformity Tester Pin: $\phi 2$
- Color: Black, Red, Blue, White



POGO PIN & HOUSING PPG-001

- Rating: DC12V 10A
- Working Stroke: 1.8mm
- Max. Stroke: 2.5mm
- Force: 175 \pm 20gf
- Life: 20,000 Cycles

