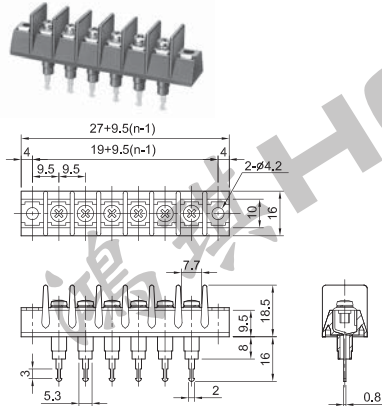


TERMINAL CONNECTORS

UF2048B Pitch=9.5mm

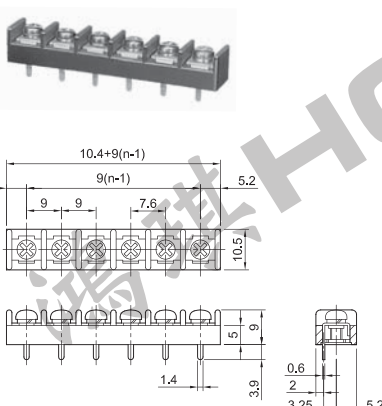
- Rating: AC250V 15A
- Poles: 1~26 Poles
- UL · C-UL



n=Poles

F2302AX Pitch=9mm

- Rating: AC250V 6A
- Poles: 1~27 Poles



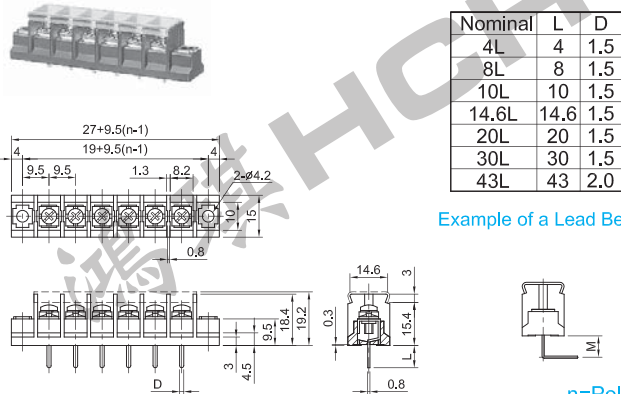
n=Poles

F2311A Pitch=9.5mm

- Rating: AC250V 15A
- Poles: 1~26 Poles

Nominal	L	D
4L	4	1.5
8L	8	1.5
10L	10	1.5
14.6L	14.6	1.5
20L	20	1.5
30L	30	1.5
43L	43	2.0

Example of a Lead Bent



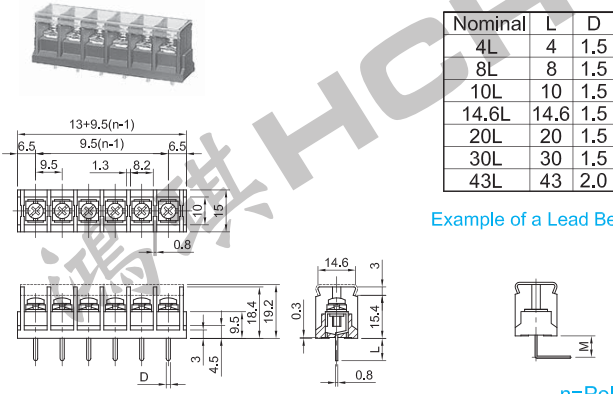
n=Poles

F2311AX Pitch=9.5mm

- Rating: AC250V 15A
- Poles: 1~26 Poles

Nominal	L	D
4L	4	1.5
8L	8	1.5
10L	10	1.5
14.6L	14.6	1.5
20L	20	1.5
30L	30	1.5
43L	43	2.0

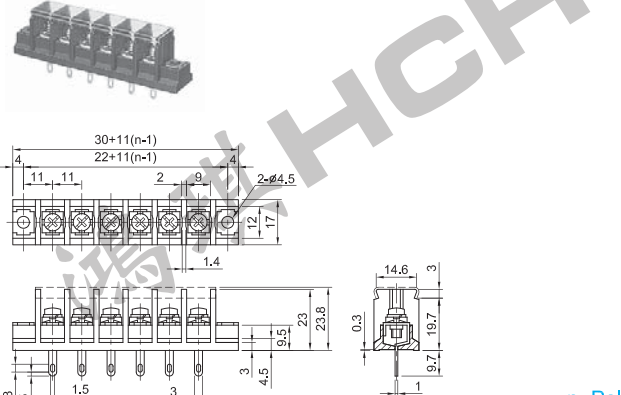
Example of a Lead Bent



n=Poles

F2331B Pitch=11mm

- Rating: AC250V 20A
- Poles: 1~24 Poles

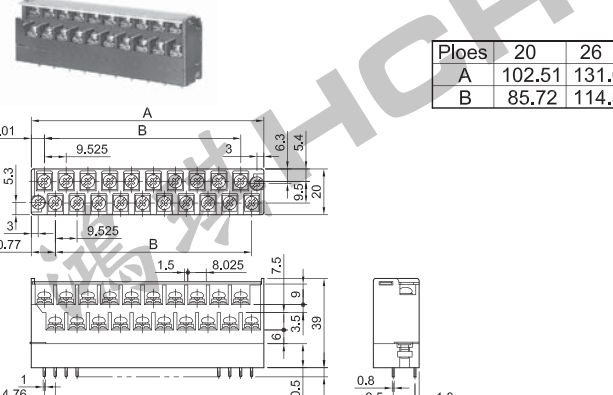


n=Poles

F5201AC Pitch=9.525mm

- Rating: AC250V 10A
- Poles: 20, 26 Poles

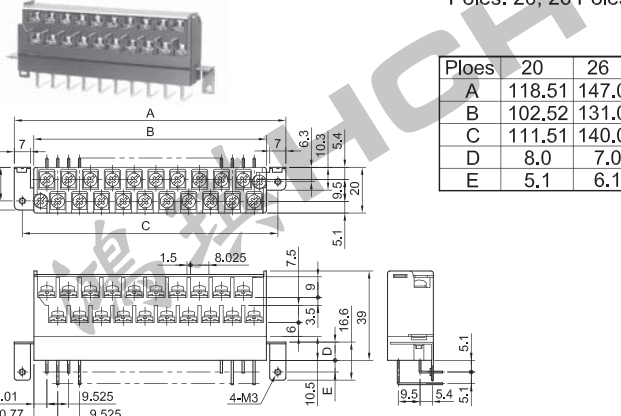
Poles	20	26
A	102.51	131.08
B	85.72	114.30



F5201ABRT Pitch=9.525mm

- Rating: AC250V 10A
- Poles: 20, 26 Poles

Poles	20	26
A	118.51	147.08
B	102.52	131.08
C	111.51	140.08
D	8.0	7.0
E	5.1	6.1



F5201ABLT Pitch=9.525mm

- Rating: AC250V 10A
- Poles: 20, 26 Poles

Poles	20	26
A	102.51	131.08
B	85.72	114.30
C	111.51	140.08
D	8.0	7.0
E	8.6	9.6

