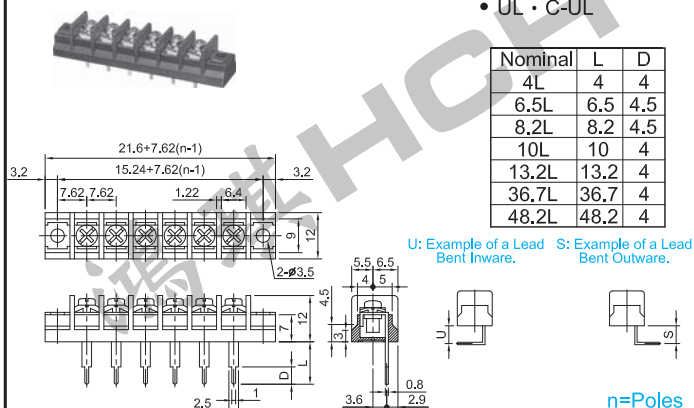


TERMINAL CONNECTORS

UF2060A Pitch=7.62mm

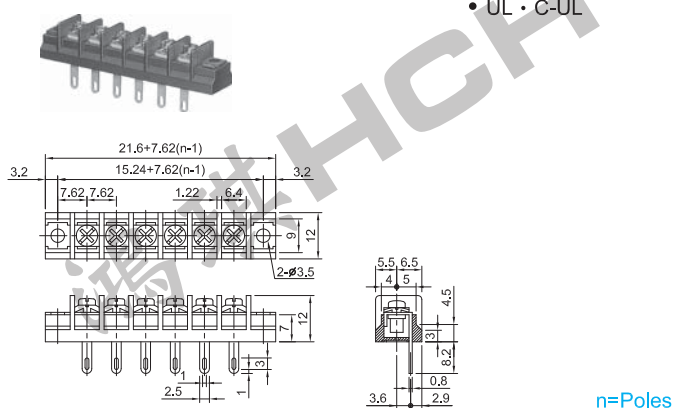
- Rating: AC250V 6A
- Poles: 1~28 Poles
- UL • C-UL

Nominal	L	D
4L	4	4
6.5L	6.5	4.5
8.2L	8.2	4.5
10L	10	4
13.2L	13.2	4
36.7L	36.7	4
48.2L	48.2	4



UF2060B Pitch=7.62mm

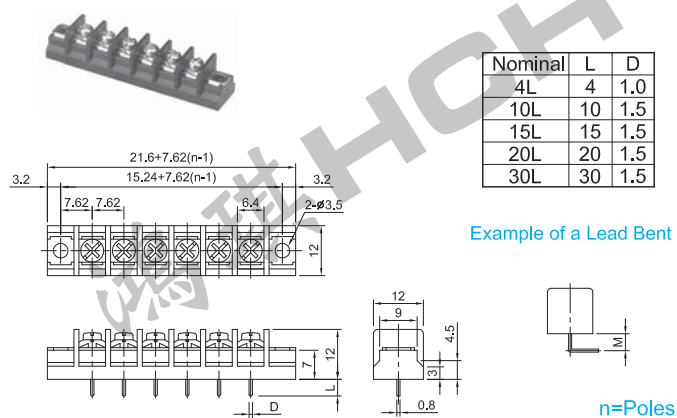
- Rating: AC250V 6A
- Poles: 1~28 Poles
- UL • C-UL



F2061A Pitch=7.62mm

- Rating: AC250V 6A
- Poles: 1~28 Poles

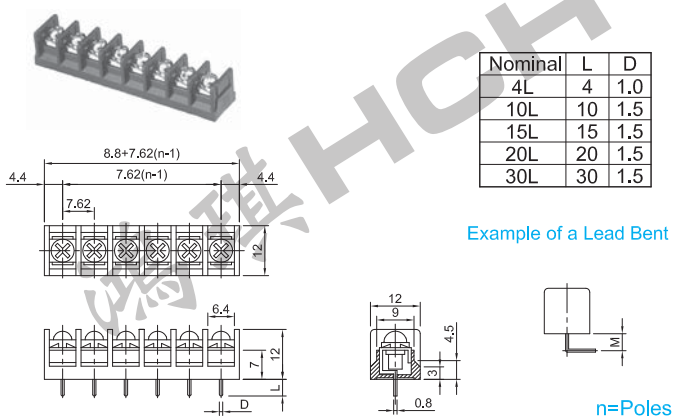
Nominal	L	D
4L	4	1.0
10L	10	1.5
15L	15	1.5
20L	20	1.5
30L	30	1.5



F2061AX Pitch=7.62mm

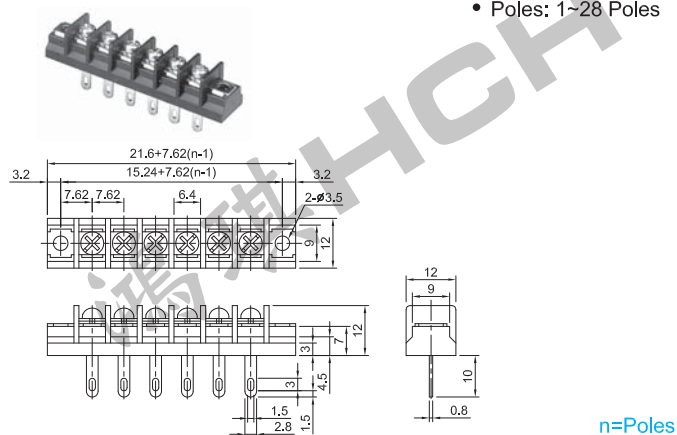
- Rating: AC250V 6A
- Poles: 1~28 Poles

Nominal	L	D
4L	4	1.0
10L	10	1.5
15L	15	1.5
20L	20	1.5
30L	30	1.5



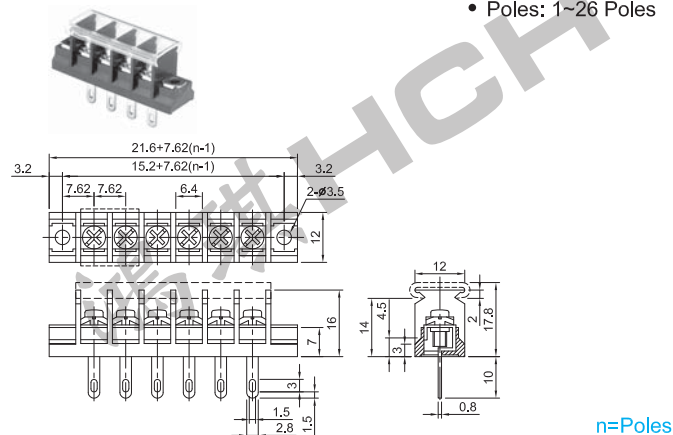
F2061B Pitch=7.62mm

- Rating: AC250V 6A
- Poles: 1~28 Poles



F2362B Pitch=7.62mm

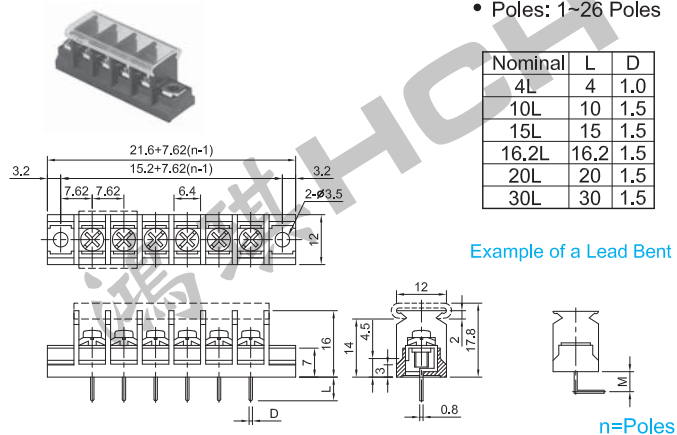
- Rating: AC250V 6A
- Poles: 1~26 Poles



F2362A Pitch=7.62mm

- Rating: AC250V 6A
- Poles: 1~26 Poles

Nominal	L	D
4L	4	1.0
10L	10	1.5
15L	15	1.5
16.2L	16.2	1.5
20L	20	1.5
30L	30	1.5



F2362AX Pitch=7.62mm

- Rating: AC250V 6A
- Poles: 1~28 Poles

Nominal	L	D
4L	4	1.0
10L	10	1.5
15L	15	1.5
16.2L	16.2	1.5
20L	20	1.5
30L	30	1.5

