
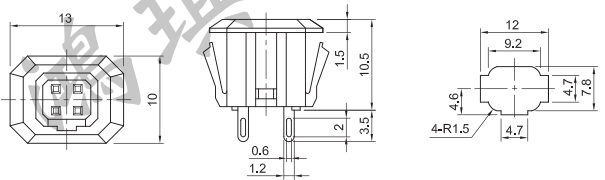

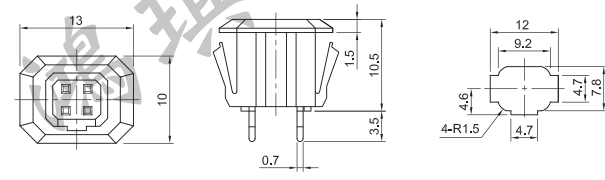

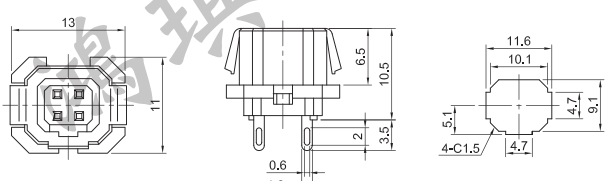

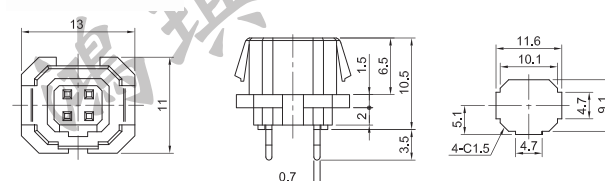

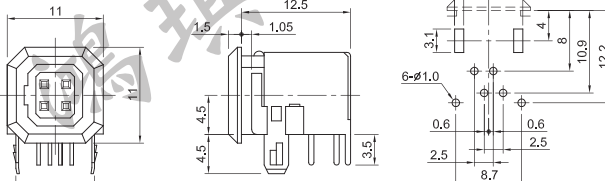

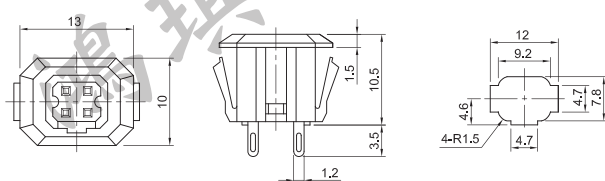

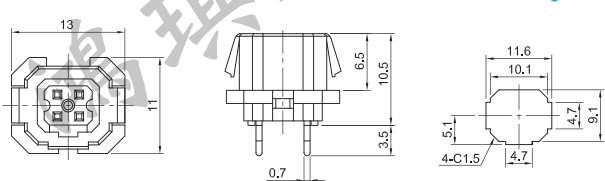

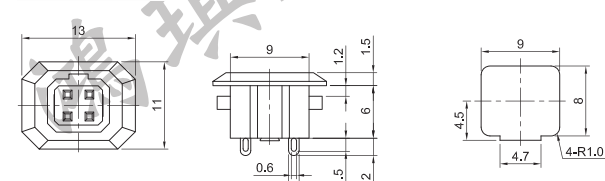


MICRO CONNECTORS

<p>SOLDER TERMINAL TYPE D4-156N-100A (4 PIN)</p> <ul style="list-style-type: none"> • Rating: AC/DC30V 500mA • EIAJ, RC5204 • Applicable Plug: E4-191J  <p>Panel Mounting Hole</p>  <p>Panel Thickness: t1.6mm</p>	<p>PRINT TERMINAL TYPE D4-156N-200A (4 PIN)</p> <ul style="list-style-type: none"> • Rating: AC/DC30V 500mA • EIAJ, RC5204 • Applicable Plug: E4-191J  <p>Panel Mounting Hole</p>  <p>Panel Thickness: t1.6mm</p>
<p>SOLDER TERMINAL TYPE D4-158N-100A (4 PIN)</p> <ul style="list-style-type: none"> • Rating: AC/DC30V 500mA • EIAJ, RC5204 • Applicable Plug: E4-191J  <p>Panel Mounting Hole</p>  <p>Panel Thickness: t1.6mm</p>	<p>PRINT TERMINAL TYPE D4-158N-200A (4 PIN)</p> <ul style="list-style-type: none"> • Rating: AC/DC30V 500mA • EIAJ, RC5204 • Applicable Plug: E4-191J  <p>Panel Mounting Hole</p>  <p>Panel Thickness: t1.6mm</p>
<p>PC TERMINAL TYPE D4-157J-250A (4 PIN)</p> <ul style="list-style-type: none"> • Rating: AC/DC30V 500mA • EIAJ, RC5204 • Applicable Plug: E4-191J  <p>Mounting Hole Layout</p>  <p>t:1 or 1.6mm</p>	<p>SOLDER TERMINAL TYPE D4-256N-100 (4 PIN)</p> <ul style="list-style-type: none"> • Rating: AC/DC30V 500mA • P-IRIS  <p>Panel Mounting Hole</p>  <p>Panel Thickness: t1.6mm</p>
<p>PRINT TERMINAL TYPE D4-558N-200A (4 PIN)</p> <ul style="list-style-type: none"> • Rating: AC/DC30V 1.5A • P-IRIS  <p>Panel Mounting Hole</p>  <p>Panel Thickness: t1.6mm</p>	<p>SOLDER TERMINAL TYPE D4-410N-110A (4 PIN)</p> <ul style="list-style-type: none"> • Rating: AC/DC30V 500mA • EIAJ, RC5204 • Applicable Plug: E4-191J  <p>Panel Mounting Hole</p>  <p>t:1.2mm</p>